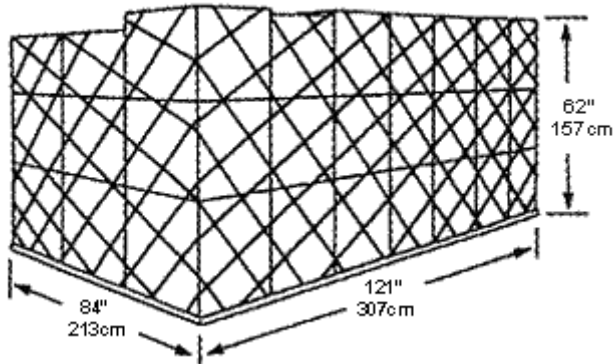


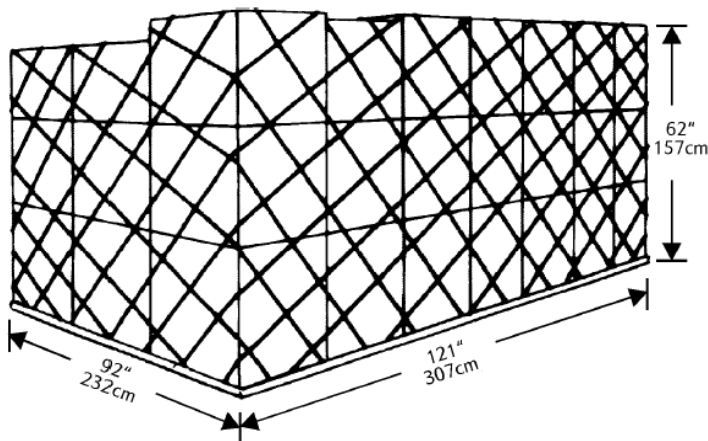


AIRCRAFT and ULD configurations

PMC

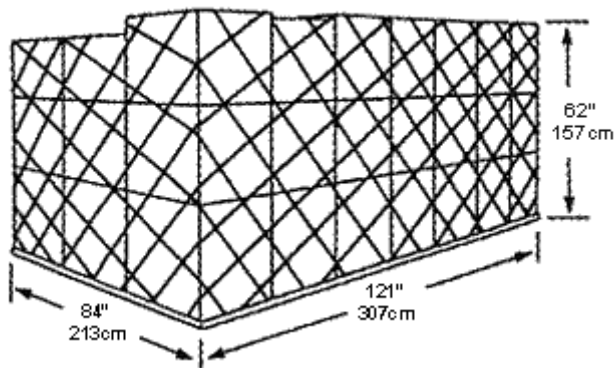


Tare Weight	130kg/286lbs
Max Gross Weight	747: 5050kg/11110lbs 767: 5103kg/11227lbs 777: 5103kg/11227lbs





PAP/PIP/PAG



Volume

420 cu.ft. (11.9cu.m.)
(with allowable overhang)

Tare Weight

120kg/264lbs

Max Gross Weight

74: 6033kg/13300lbs

767: 5103kg/11227lbs

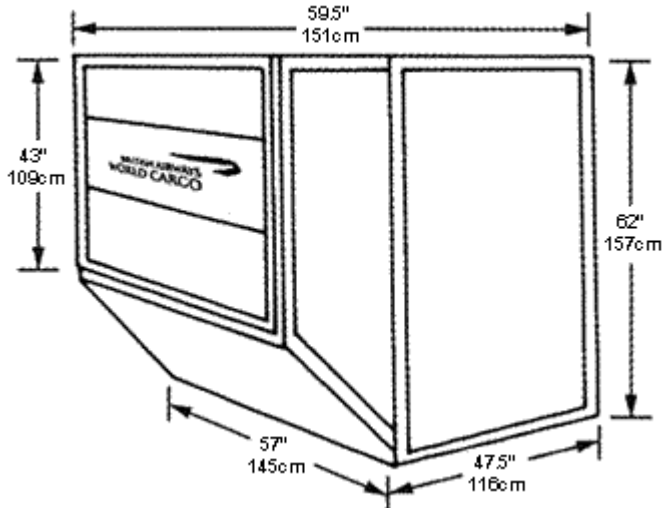
777: 4626kg/10501lbs

External Dimensions

88" x 64" x 125"



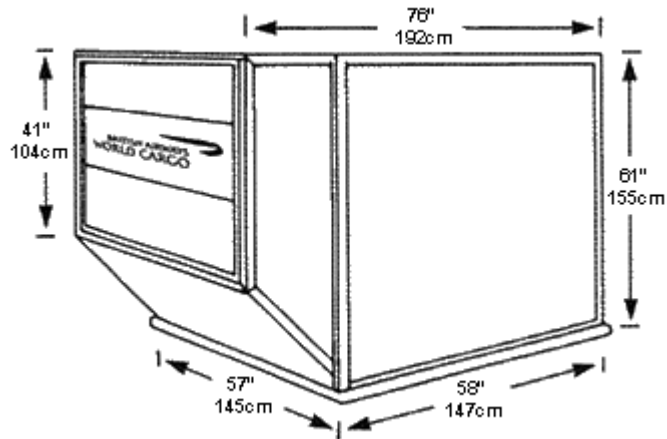
LD2 APE



Volume	120 cu.ft. (3.4cu.m.)
Tare Weight	70kg/154lbs
Max Gross Weight	1225kg/2700lbs
External Dimensions	45" x 61.5" x 64" x 47" x 60.4"



LD3 AKE



Volume	150 cu.ft. (4.2cu.m.)
Tare Weight	72kg/158lbs
Max Gross Weight	1588kg/3493lbs
External Dimensions	79" x 43" x 64" x 61.5" x 60.4"